

Quick Installation Guide

Printer Overview

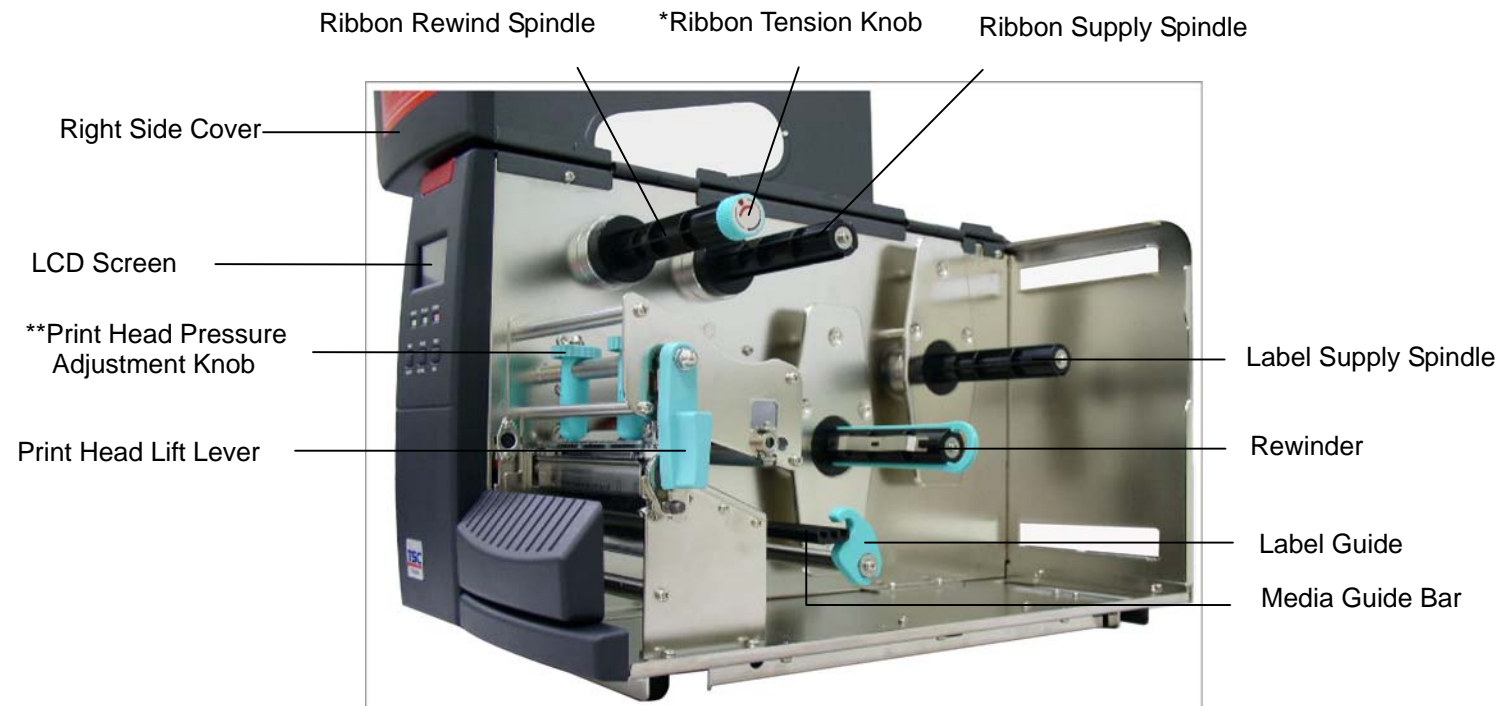


Figure 1. Printer Overview

* The **ribbon tension adjustment knob** offers 6 levels of tension to apply to different width of ribbon. Turn the ribbon tension knob clockwise and you will hear a light click sound as the gear changes. The level of rewind ribbon is from loose to tight, level 0 to level 5. You will hear a louder click for level 0.

** The **print head pressure adjustment knob** has 5 levels of adjustment. Because the printer's paper alignment is to the left side of mechanism, different media widths require different pressure to print correctly. Therefore it may be necessary to adjust the pressure knob to get your best printout quality. For example, if the label width is 4", adjust both print head pressure adjustment knobs to the same level. If the label is less than 2" wide, increase the left print head pressure adjustment knob and decrease the right side pressure to level 1.

Hardware Installation

1. Connect the printer to a computer with printer cable.
2. Plug the power cord into the power jack at the rear of the printer, then plug the cord into a properly grounded outlet.
3. Open the printer right side cover.
4. Open the **print head lift lever** by turning it toward the back of the printer and up.

5. Installing ribbon :
 - a. Place an empty paper core, diameter larger than 34 mm, onto the **ribbon rewind spindle**.
 - b. Place a ribbon on the **ribbon supply spindle**.
 - ※ Notice : Ribbon should be placed to the end of ribbon supply spindle.
 - c. Feed the ribbon, through the ribbon sensor, and attach the ribbon leading edge (with a tape) to the empty paper core.
 - d. Manually rotate the **ribbon rewind spindle** until it is properly stretched.
6. Installing label media :
 - a. Place the labels onto the label spindle.
 - b. Feed the label, printing side up, down through the **label guide** as shown in Figure 2.
 - ※ To use **auto-peeling function**, please refer to the following steps : (as shown in Figure 3)
 - Uninstall the cutter module and stripper/peeler plate.
 - Install the stripper/peeler plate in the reversed direction.
 - Wind back the label leading edge and attach it onto the rewind label spindle.
 - Clip the label on the rewind label spindle by the paper clamp.
 - c. Adjust the label guide to fit the width of the label, then buckle it onto the media guide bar.
 - d. Engage the print head lift lever.
 - e. Adjust the print head pressure adjustment knob properly according to the label thickness.
7. Close the printer right side cover.
8. Switch on the power. Now, the printer is ready to print.

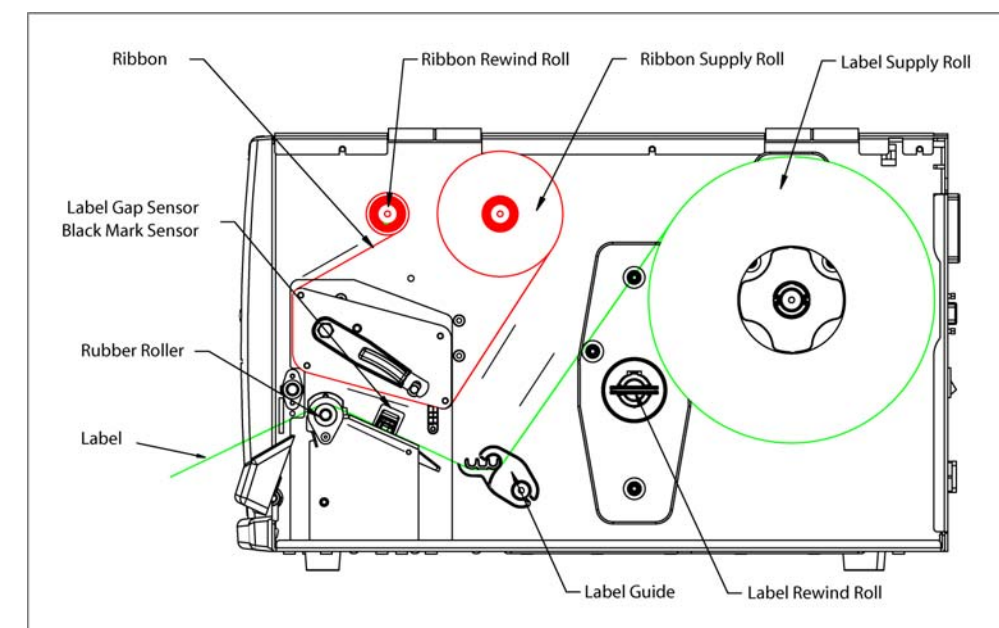


Figure 2. Paper path for batch mode

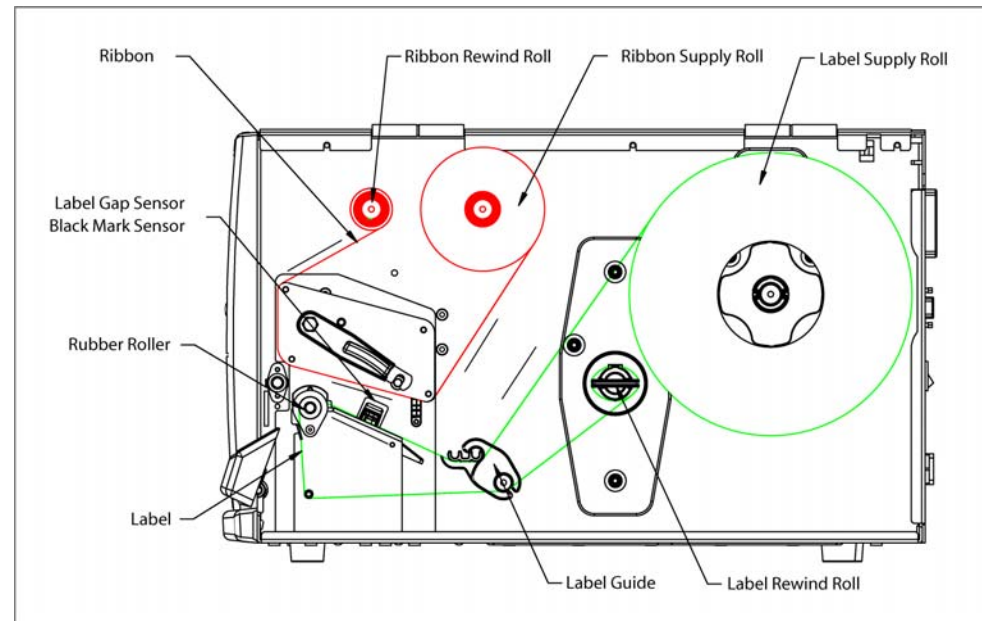


Figure 3. Paper path for peeler mode

Self-test

1. Install the ribbon and label media as the above procedures and engage the print head lift lever.
2. Switch on the power, hold down the MENU button to scroll the cursor to item "5.Printer Test", then press EXE/INC button to execute printer self-test this utility.

Self-test will print following information on the label :

- Print out thermal print head check pattern
- Print printer current settings

Power-on Utilities

1. Gap sensor calibration

This utility is used to calibrate the sensitivity of gap/black mark sensor. The gap sensor should be calibrated while **changing the label media** or **executing printer initialization**. Please follow the steps below to calibrate the gap sensor.

- a. Install the ribbon and label media as the above procedures and engage the Print Head Lift Lever.
- b. Hold down the MENU button to scroll the cursor to item "2.Sensor Calib." and then press the EXE/INC button to choose "Auto Gap" to execute gap sensor calibration utility.
 - ※ **Please calibrate the media sensor sensitivity when media is changed or printer is initialized.**

2. Printer Initialization

Printer Initialization will restore printer settings to defaults.

Please follow the steps below to initialize the printer:

- a. Turn off the printer power.
- b. Hold down PAUSE and FEED button at the same time while turning on the printer power. Do not release the buttons until the three LED indicators start flashing.
 - ※ **Note: It is essential to calibrate the media sensor again whenever initialize the printer.**
 - ※ **For further information on printer operation, please refer to the User's Manual in software CD disc.**